

Protects records, Secures History.



MATRIX DOOR
More secure and stronger

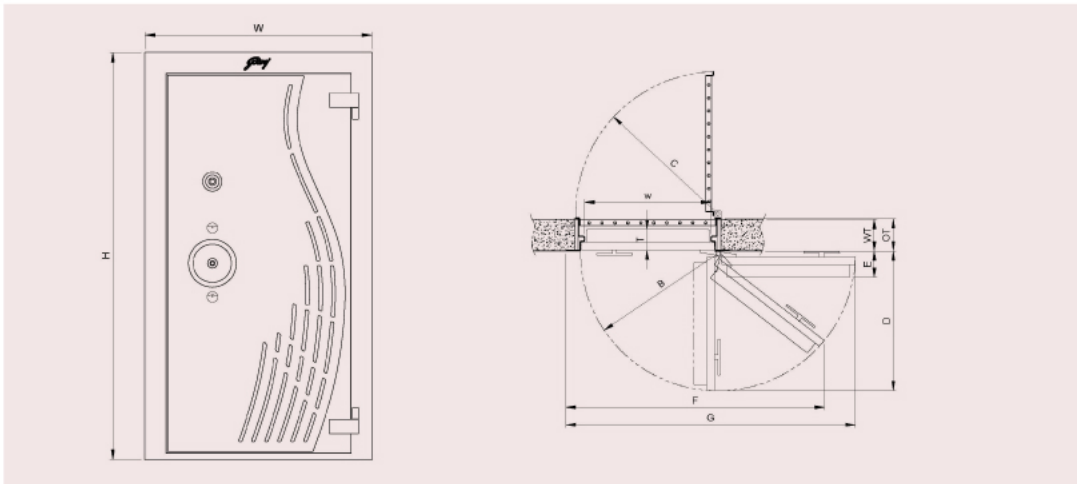
STEADFAST AND HOW



- 8 Shooting bolts of \varnothing 32mm
- Provided with two 8-lever locks
- Both the locks protected with a re-locking mechanism which jams the door if any attempt is made to dislodge the locks using tools or explosive
- Optional extra-combination or digital lock can be provided
- Godrej formulated Double Duty Barrier provides burglary and fire protection
- Grill Gate with locking form inside and outside provided for restricting daytime access when the main door is in open condition
- Thickness of door including lockcase - 150 mm
- Thickness over locks and vital parts - 60 mm
- Door thickness over the rebate - 55 mm
- Weighs of 500 kg, hence the door can be installed at higher floor levels too (subject to approval from your structural engineer)



Available in Black colour with a stainless steel fascia, giving the door a very contemporary look



Armoured Plate in Door



Drill and Hammer Resistant



Shooting Bolts



Fire Resistant Door



Grille Gate

SPECIFICATIONS	NOMENCLATURE	MATRIX DOOR
OVERALL SIZE	H x W	2125 x 1185
CLEAR OPENING	h x w	1980 x 915
THICKNESS OF DOOR WITH LOCKCASE	T	150
THICKNESS OVER LOCK & VITAL PARTS		60
OVERALL DOOR THICKNESS INCLUDING FRAME AND GRILL GATE	OT	240
RECOMMENDED FOR WALL THICKNESS	WT	230-305
DOOR SWING	B	1000
GRILL GATE SWING	C	1040
PROJECTION OF DOOR WHEN OPENED AT 90°	D	1020
PROJECTION OF DOOR WHEN OPENED AT 180°	E	195
OVERALL WIDTH OF DOOR AND FRAME FOR MAX CLEAR OPENING	F	1880
OVERALL WIDTH OF DOOR AND FRAME WHEN FULLY OPENED	G	2100

Tolerances: Weight: \pm 10%. Dimensions:- \pm 5%

In light of continuous improvement under Godrej Policy, product specs may be changed without prior notice

Godrej & Boyce Manufacturing Company Limited.
Godrej Security Solution, Plant-17,
Pirojshanagar,
Vikhroli, Mumbai 400079, INDIA
secure@godrej.com

Godrej & Boyce Mfg. Co. Ltd.
P.O. Box: 8549, A2 – 2004, SAIF Zone,
Sharjah, UAE
Tel: 97165570866 Fax: 97165570966,
Email: ratan@godrej.ae

Godrej & Boyce Mfg. Co
Dabab Street, Opp. Riyadh Chamber of Commerce,
PO Box: 221890, Riyadh, 1311, Kingdom of Saudi Arabia,
Tel: 0096614025345/4024068 Fax: 0096614025639,
Email: taj@godrejsaudi.com

Follow us on:  